

Dynapac CA2500D (3.3)

Single drum vibratory rollers

Atlas Copco



Technical data



Masses

Operating mass (incl. ROPS)	10,000 kg
Operating mass (incl. Cab)	10,200 kg
Module mass (front/rear)	5,600/4,600 kg
Max. operating mass	10,400 kg



Dimensions

Drum width	2,130 mm
------------	----------



Traction

Speed range	0 -8 km/h
Vertical oscillation	±9°
Tyre size (12 ply)	550/60-22.5
Theor. gradeability	51 %



Compaction

Static linear load	26 kg/cm
Nominal amplitude (high/low)	1.8/0.9 mm
Vibration frequency (high/low amplitude)	30/30 Hz
Centrifugal force (high/low amplitude)	205/100 kN



Engine

Manufacturer/Model	Cummins QSB3.3 (III A/3 & III B/4i)
Type	Water cooled turbo Diesel
Rated power, SAE J1995	82 kW (110 hp) @ 2,200 rpm
Fuel tank capacity	190 l



Hydraulic system

Driving	Hydrostatic
Vibration	Hydrostatic
Steering	Hydrostatic
Service brake	Hydrostatic in forward and reverse lever.
Parking/ Emergency brake	Failsafe multidisc brake in drum gear box and in rear axle.

Find us locally at www.atlascopco.com

We reserve the right to change specifications without notice. Photos and illustrations do not always show standard versions of machines. The above information is a general description only, all informations are supplied without liability.

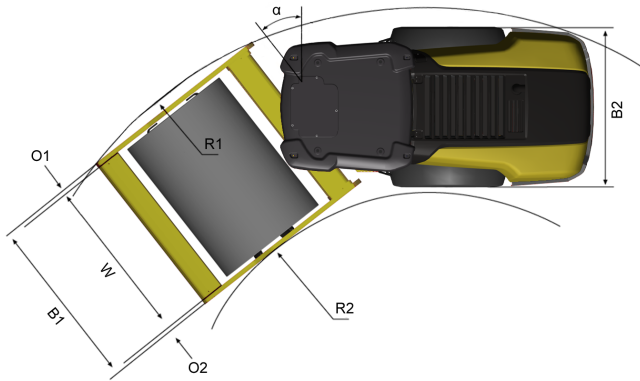
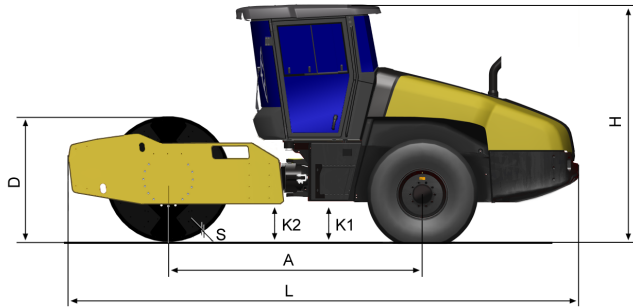
rce_ca2500d_33_en-20140310.151700.pdf 2014-03-10 15:17

Dynapac CA2500D (3.3)

Single drum vibratory rollers

Atlas Copco

Technical data



Dimensions	
A. Wheelbase	2,840 mm
B1. Width, front	2,300 mm
B2. Width, rear	1,710 mm
D. Drum diameter	1,500 mm
H. Height, with ROPS/cab	2,810 mm
K1. Ground clearance	320 mm
K2. Curb clearance	430 mm
L. Length	5,200 mm
O1. Overhang, right	85 mm
O2. Overhang, left	85 mm
R1. Turning radius, outside	5,400 mm
R2. Turning radius, inside	3,100 mm
S. Drum shell thickness	25 mm
W. Drum width	2,130 mm
α. Steering angle	±38°

Find us locally at www.atlascopco.com

We reserve the right to change specifications without notice. Photos and illustrations do not always show standard versions of machines. The above information is a general description only, all informations are supplied without liability.

rce_ca2500d_33_en-20140310.151700.pdf 2014-03-10 15:17